



# DECKING & DRYSPACE™

## INSTALLATION & MAINTENANCE GUIDE

| DECKING  
| RAILING

| LIGHTING  
| ACCESSORIES

| [www.timbertech.com](http://www.timbertech.com)

September 2012

# Decking Product Choices

With a wide selection of plank styles and profiles – available in a variety of colors, TimberTech decks are easy to design, build and maintain.

DECKING PLANKS		Cedar	Grey	Redwood	Brown Oak	Silver Maple	Brick	Brownstone	Slate	Pacific Rosewood	Pacific Teak	Pacific Walnut	RiverRock	SandRidge	Mountain Cedar	Harbor Stone	Harvest Bronze	RusticBark	Walnut Grove	Wt.* Lbs/Each	Qty/ Unit
XLM® Solid	1" x 5.430" x 16', 20'												X	X	X	X	X	X	X	29, 36	64
XLM® Grooved	1" x 5.430" x 12', 16', 20'												X	X	X	X	X	X	X	20, 29, 35	64
Earthwood Evolutions® Solid	0.94" x 5.360" x 16', 20'						X	X	X	X	X	X								41, 51	64
Earthwood Evolutions® Grooved	0.94" x 5.25" x 12', 16', 20'						X	X	X	X	X	X								29, 39, 49	64
Earthwood Evolutions® Terrain Grooved	0.94" x 5.25" x 12', 16', 20'				X	X														24, 32, 40	64
Earthwood Evolutions® Terrain Solid	0.94" x 5.25" x 16'				X	X														32	64
TwinFinish® Solid	1" x 5.360" x 16', 20'	X	X	X																47, 58	64
TwinFinish® Grooved	1" x 5.360" x 12', 16', 20'	X	X	X																34, 45, 56	64
ReliaBoard® Solid	0.94" x 5.360" x 12', 16', 20'	X	X																	29, 37, 48	64
DockSider® Solid	1.25" x 5.5" x 12', 16', 20'	X	X																	45, 60, 75	48
<b>DECKING ACCESSORIES</b>																					
Earthwood Evolutions® Fascia	.560" x 12" x 12'						X	X	X	X	X	X									
Earthwood Evolutions® Riser	.560" x 7.250" x 12'						X	X	X	X	X	X									
TwinFascia®	.560" x 12" x 12'	X	X	X																45	30
TwinRiser®	.560" x 7.250" x 12'	X	X	X																27	42
XLM® Fascia	.560" x 12" x 12'												X	X	X	X	X	X	X	30	30
XLM® StairRiser	.560" x 7.250" x 12'												X	X	X	X	X	X	X	18	42
CONCEALoc® Fasteners - Retail Carton	100 sq. ft. coverage																			4	8
CONCEALoc® Fasteners - Bulk Bucket	1000 sq. ft. coverage																			43	1
CONCEALoc® Fasteners - Gun Pail	500 sq. ft. coverage																			20	1
CONCEALoc® Replacement Screws	50/Retail Pack																			0.4	20
CONCEALoc® L-Bracket	50/Retail Pack																			1	10
CONCEALoc® Router Bit	1/Retail Pack																			0.5	6
Cortex® Hidden Fastening System	100 lin ft.	X	X	X			X	X	X	X	X	X	X	X	X	X	X	X	X	3	6
TOPLoc™ Face Fastener - Retail Carton**	100 sq. ft. coverage	X	X	X	X	X	X	X	X	X	X	X	X	X	X	X	X	X	X	4	8
TOPLoc™ Face Fastener - Bulk Bucket**	500 sq. ft. coverage	X	X	X	X	X	X	X	X	X	X	X	X	X	X	X	X	X	X	19	1
TOPLoc™ Fascia Fastener**	100 In. ft. coverage	X	X	X	X	X	X	X	X	X	X	X	X	X	X	X	X	X	X	1	15
TOPLoc™ Stainless Steel	85 sq. ft. coverage	X	X	X			X	X	X	X	X	X	X	X	X	X	X	X	X	4	8

\* Weights are rounded to nearest lb.

\*\*TOPLoc is available in Cedar, Grey, Rosewood, Teak, and Walnut but is made to match all color profiles.

\*\*\*Cortex is not for ReliaBoard or Earthwood Evolutions Terrain.

**TimberTech recommends visiting your local Dealer to view actual profiles and color selections.**

# Installing TimberTech

## TimberTech covers the alternative decking market

To get information on other TimberTech products visit [timbertech.com](http://timbertech.com) or ask your dealer for these installation guides:

- **TimberTech Railing & DeckLites® Installation & Maintenance Guide**
- **TimberTech FenceScope® Installation & Maintenance Guide**

These installation guidelines will direct you through the process of installing TimberTech products. Most installers will find this process similar to the installation of a wood deck. However, there may be areas that differ from what you are used to.

These installation methods are recommended by TimberTech, but they may not cover every installation scenario you may encounter. Since each installation is unique in its performance requirements, the ultimate installation method used is the sole responsibility of the installer. TimberTech recommends that all designs be reviewed by a licensed architect, engineer or local building official before installation. Make sure your plans meet local building codes before you begin the installation.

## Tools Required

TimberTech planks can be installed with a minimum number of readily available tools. However, many other tools are available that can provide even greater efficiency and ease of installation. All tools should be used per applicable manufacturers' instructions. Some of the basic tool requirements:

- Cordless Driver
- Chalk Line
- Tape Measure
- Jig Saw
- Carpenter Square
- Spacing Tools
- Circular Saw
- Safety Glasses

Use the jigsaw to cut around obstructions such as posts. A power miter saw can also be very helpful during installation. When cutting XLM planking with a hand held circular saw it is recommended that a thin kerf 40-tooth alternate top bevel finish blade be used to achieve the cleanest cuts. For a power miter or compound power miter saw a fine finish alternate top bevel blade is also recommended. When working with TimberTech products be sure to wear proper clothing and safety equipment. Safety glasses should be used during the entire installation process.

## STOP! Read this section before you start!

For most current care and cleaning, technical information and more, visit [www.timbertech.com](http://www.timbertech.com).

**Floorizon** — For information on Floorizon please visit [www.timbertech.com](http://www.timbertech.com) and click on Installation Resources for downloadable instructions.

- XLM** —
- TimberTech does not recommend the use of rubber or vinyl products (welcome mats, planters, etc.) on XLM deck planks. A reaction can occur that causes discoloration of the decking under the rubber/vinyl product. This is a common caution for vinyl decking products.
  - Do NOT nail XLM Planks

**Walking Surface** — TimberTech planks are intended to be installed embossed side up. The unembossed surface is not to be used as a walking surface. This applies to all decking surfaces.

**Directional Notch** — TimberTech's surface on TwinFinish, ReliaBoard, Earthwood Evolutions, DockSider, TwinFascia and TwinRiser boards is directional in manner. A notch has been added to one side of the planks. When installing planks, this marked edge must be laid to the same side for the entire installation for a consistent appearance. Similarly, TimberTech's TwinFascia board and TwinRiser have one long beveled edge on the front and back. To ensure a consistent appearance from board to board, the beveled edge must be laid to same side. If you rip a piece, be sure to note the location of the bevel. See individual plank installation instructions.

**Static Electricity** — Static build-up is a natural occurring phenomenon that can occur with many plastic products. It could occur with TimberTech products under the right environmental conditions.

**Cantilevering** — TimberTech XLM, Earthwood Evolutions, TwinFinish, ReliaBoard, and DockSider can be cantilevered a maximum of 1".

**Color and Grain Patterns** — Our wood-plastic composite deck boards are designed to mimic the look of real wood, and like real wood, there will be a slight difference in color and grain pattern from board to board. This is intentional and part of the manufacturing process, giving TimberTech wood-plastic composite decking the most realistic and wood-like appearance possible. This variation is purely aesthetic and does not or will not affect the performance of the product. Our deck boards are designed to naturally weather over time and the surface pattern will weather to a consistent color. Most of the weathering process will be complete within the first year of the deck's life.

**Safety** — TimberTech offers products that meet the American with Disabilities Act (ADA) guidelines for slip-resistant walking surfaces, and unlike traditional wood, TimberTech is splinter-free.

**Note** — TimberTech is **NOT** intended for use as columns, support posts, beams, joist stringers or other primary load-bearing members. TimberTech must be supported by a code-compliant substructure. While TimberTech products are great for deck re-planking (removing old deck surface planks and installing TimberTech on code-compliant substructure), TimberTech planks **CANNOT** be installed on top of existing deck planks.

**Routing** — TimberTech TwinFinish, DockSider and ReliaBoard may be routed for accents such as adding an edge radius. **XLM and Earthwood Evolutions SHOULD NOT** be routed aside from routing a groove in the side of solid planks for start/stop of CONCEALoc.

## Extreme Heat Warning

Be aware of excessive heat on the surface of TimberTech products from external sources such as but not limited to fire or reflection of sunlight from energy efficient window products. Low-emissivity (Low-E) glass can potentially harm TimberTech products. Low-E glass is designed to prevent passive heat gain within a structure and can cause unusual heat build-up on exterior surfaces. This extreme elevation of surface temperatures, which exceeds that of normal exposure, can possibly cause TimberTech products to melt, sag, warp, discolor, increase expansion/contraction, and accelerate weathering.

Current or potential TimberTech customers that have concerns about possible damage by Low-E glass should contact the manufacturer of the product which contains Low-E glass for a solution to reduce or eliminate the effects of reflected sunlight.

## Excessive Construction Debris

It is important during construction, the deck's surface stay clear from excessive build-up of dirt, sand, and dust from tile, concrete, landscape blocks, or any other masonry products. If these materials are not removed immediately, the deck surface will become difficult to clean and foot traffic can potentially damage the deck's surface finish.

If a build-up does occur please refer to the Care and Cleaning section in TimberTech's installation guide.

## Calculating Material Requirements

To determine how much TimberTech decking material you will need, start by calculating the square footage of your deck surface by multiplying length by width. Once you know this number, divide it by the numbers provided below for 12' planks, 16' planks and 20' planks.

When calculating the amount of decking you will need, it is recommended that you add roughly 10% to the total for a scrap factor.

### XLM, Earthwood Evolutions, TwinFinish, ReliaBoard Plank, and DockSider

Once you know the square footage number, divide it by 5.5 for 12' planks, 7.3 for 16' planks and 9.1 for 20' planks.

**Example:** Length x Width = Total Square Footage

Square Footage ÷ by 5.5 (12'), 7.3 (16') or 9.1 (20') = Planks Needed  
(Round the number up)

Planks Needed + 10% (Scrap Factor) = Final Number of Planks  
Needed (Round the number up)

## Working With TimberTech Planks

### Expansion and Contraction

TimberTech deck planks will experience expansion and contraction with changes in temperature. Expansion and contraction are most significant where extreme temperature changes occur. Fastening the deck planks according to the gapping requirements noted in the following table accommodates for this movement.

Changes in length are most significant during the installation process, and should be accounted for if working in extreme temperatures. A good example would be cutting your planks during a hot afternoon, letting them sit outside overnight in the cool air and then installing them the next morning. Chances are, you will notice a certain amount of contraction. The best way to minimize this problem is to fasten your planks as soon after cutting as possible.

### Gapping Requirements For All TimberTech Planks

- Side to side plank gapping must be minimum 1/8" to maximum 5/32"
- Gap planks a minimum 1/8" to 3/16" side-to-side
- For California fire requirements, please refer to page 17.
- Allow 3/16" minimum gap where the planking meets any adjoining structure or post.
- Follow these butt joint gapping guidelines for all TimberTech planks:

Butt Joint Gapping Requirements		
32° F and below	33° F to 74° F	75° F and above
3/16" gap	1/8" gap	1/32" gap

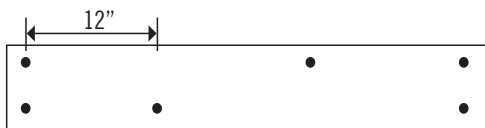
## Fastening Methods

### TimberTech Fascia Boards

Using screws with proper installation of TimberTech Fascia provides the best long-term holding. TimberTech recommends the use of TimberTech TOPLoc Fascia Fasteners for best results. Refer to gapping requirements on page 4 for proper installation.

#### For use with TOPLoc Fascia Fasteners

- Using the TOPLoc Fascia Bit, pre-drill 2" from the top and bottom alternating a maximum of 12". It is recommended that screws are evenly spaced for the best look.



- Set fascia in place being sure to follow proper gapping requirements
- Drive TOPLoc fascia fastener 90 degrees with the fascia surface so that the screw head is flush with the surface. **Do not completely torque down screw;** screw should serve as a hanging mechanism to allow for expansion and contraction in the fascia. This will help to prevent any undesired consequences to movement in the fascia.
- Continue fastening in pattern described being sure to work left to right or right to left. This will ensure flatness in the fascia.

#### For Alternative Fasteners

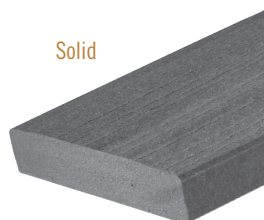
- Use a #10 countersink with a 3/16" drill bit in combination with a #8 stainless steel flat head screw at least 1-1/2" length.
- Drive the countersink about 1/8" below the surface then use a 7/32" drill bit to enlarge the through hole in the fascia. The through hole must be 1/32" - 1/16" larger in diameter than the screw shank as the head of the screw allows.
- The oversized hole with countersink will allow fastener to be flush, but not tight, to permit movement.
- Holding the fascia tight to the framing material, drive the screw through the center of the hole and just flush with the surface at the fascia. Do not fully tighten the screw.
- Screw 2" from the top and bottom every 24".
- Refer to gapping requirements on page 4.
- Fascia may be installed to cover the ends of planks on the deck surface. Another method is to install the fascia under the cantilevered deck surface, with the exception of Floorizon.

### TimberTech Solid Planks

TimberTech recommends the use of TimberTech TopLoc Face Fasteners for solid plank installations. Pre-drilling is required when within 1-1/2" of the ends of the plank and for temperatures below 45 degrees Fahrenheit to avoid splitting and screw shear (except XLM). Alternate fasteners are stainless steel or high-quality coated composite deck screws.\*

**Fasteners should be installed perpendicular to the deck surface and driven flush; do not overdrive or splitting may occur. Always double joists at butt seams.**

**Do not toe screw deck planks as this will cause splitting.**



#### XLM, Earthwood Evolutions, TwinFinish, and ReliaBoard Plank:

Use TOPLoc Face Fasteners or a minimum #8 x 2-1/2" stainless steel or other high-quality coated composite deck screws.\*

**DockSider:** Use TOPLoc Stainless Steel or a minimum #8 x 3" stainless steel or high-quality coated deck screws.\*

TimberTech does not recommend using nails, however, if nails are to be used, use stainless steel or high-quality coated nails.\* Small headed ring shank or casing nails provide minimal fastener exposure. Extreme caution must be used. Do not overdrive the nail – it could cause the planks to split – especially at the ends. Nails should be driven so that the head is flush with the plank surface.

- Do **NOT** nail XLM planks.

\*Compliant with treated lumber.

Nails offer time savings but may loosen over time with the expansion and contraction of the entire deck system (joist and planking). This may cause the nails to pop up from the deck surface, which will require re-setting the nails. Protruding nail heads are one source of the most common injury to bare feet on decks.

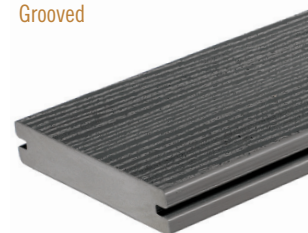
**Fastener Mushrooming:** This may occur when a non-composite deck screw is driven into the decking. It can be greatly reduced or eliminated by using a screw designed for composite lumber. If mushrooming occurs, lightly tap the material back into the hole of all planks, except Earthwood Evolutions. When installing Earthwood Evolutions, using TOPLoc reduces chance of mushrooming. If using alternative fasteners or other composite screws, we recommend pre-dimpling the plank by drilling a hole slightly smaller in diameter than the screw head and as deep as the screw head before driving

### TimberTech Grooved Planks

XLM, Earthwood Evolutions, TwinFinish Grooved Planks:

Use TimberTech CONCEALoc Hidden Fasteners. Follow the directions on the CONCEALoc bucket, box or page 10 of this guide.

Grooved



# TimberTech Solid Planks: Earthwood Evolutions™, TwinFinish®, ReliaBoard™, and DockSider™

Visit [www.timbertech.com/installation](http://www.timbertech.com/installation) to view TimberTech installation videos.

## Fastening Guidelines for Solid Planks - see page 5.

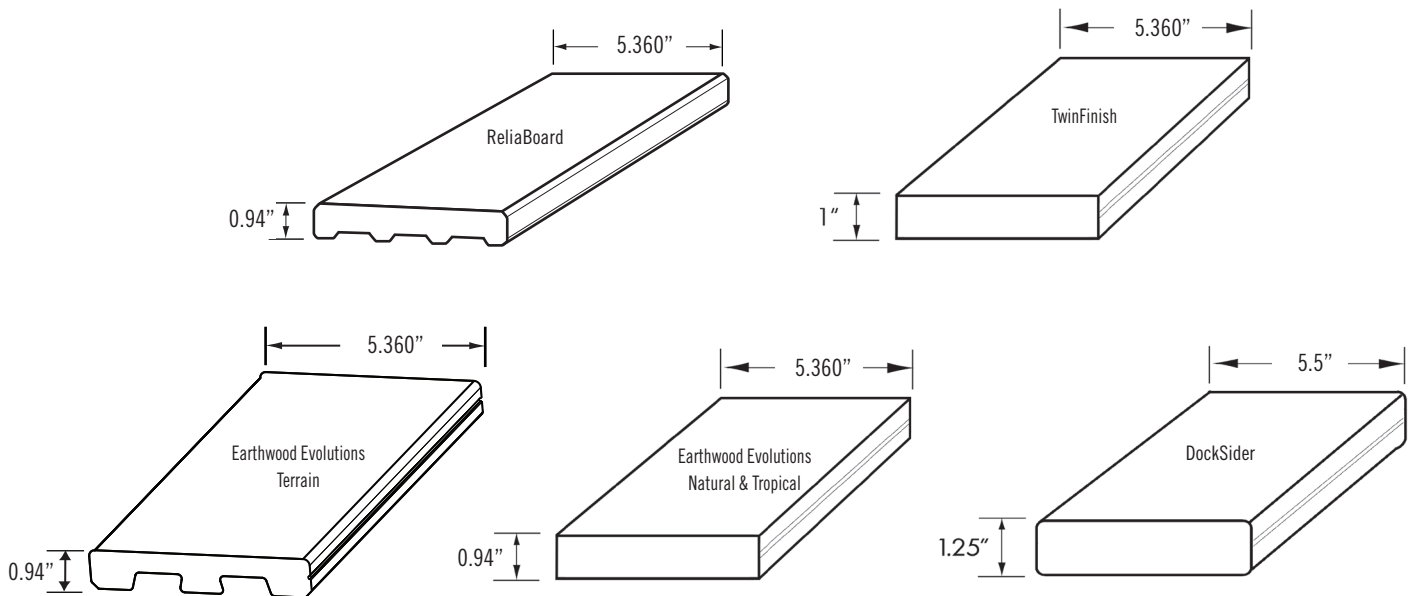
### Important Information

- TimberTech planks are intended to be installed embossed side up. The unembossed surface is not to be used as a walking surface. This applies to all decking surfaces.
- The serrated bottom side of TwinFinish is great for accents like benches and flower boxes.
- In areas with obstructed airflow such as roofs and on-grade applications, a minimum of 1-1/2" sleeper system supported by and connected to the substructure over which the deck is built.
- To aid water run-off, the deck should slope 1/2" for every 8' away from the house.

### Standard Joist Spacing

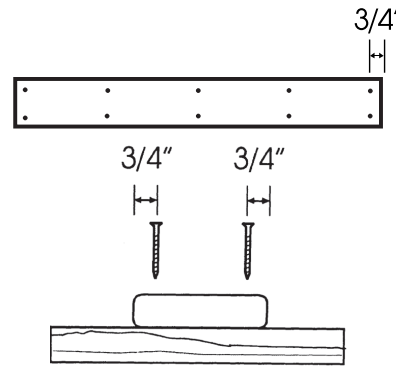
TwinFinish			
	90° Angle	30° Angle	45° Angle
100psf	20"	18"	16"
ReliaBoard , Earthwood Evolutions, EE Terrain			
100psf	16"	14"	12"
DockSider			
	90° Angle	30° Angle	45° Angle
100psf	24"	24"	24"

Special conditions will require an engineering inspection and/or reduced spans. Always consult local building codes.



## Solid Plank Installation Instructions

- Install from the outside edge of the deck and work toward the house.
- Fasten 3/4" from the outside edge of each plank, using two screws per joist including end joints.
- For gapping requirements, see page 4.
- The ends of the planks must fall on a joist. Always double joists at butt seams. Do not toe screw deck planks as this will cause splitting.
- Always install fasteners perpendicular to plank surface and drive flush. Do not overdrive or splitting and mushrooming may occur.
- Pre-drilling is required when within 1-1/2" of the ends of the plank and for temperatures below 45 degrees Fahrenheit to avoid end splitting and screw shear (except XLM).

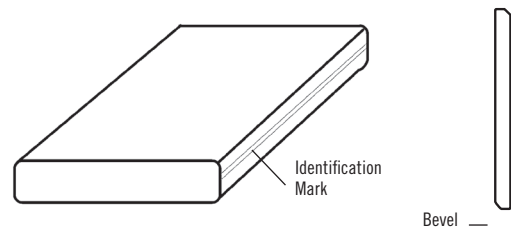


TOPLoc Face Fasteners are recommended for best results. Further instructions available in TOPLoc Package.

## Directional Notch

### TwinFinish, ReliaBoard, DockSider, Earthwood Evolutions, TwinFascia and TwinRiser Boards

Some TimberTech product surfaces are directional in manner. A notch has been added to one side of the planks. When installing planks, this marked edge must be laid to the same side for the entire installation for a consistent appearance. The TwinFascia board has one long edge beveled on the front and back. To ensure a consistent appearance from board to board when installing the TwinFascia, the beveled edge must be laid to the same side. If you rip a piece of TwinFascia be sure to note the location of the bevel on the ripped piece to ensure consistency.



## Stair Installation

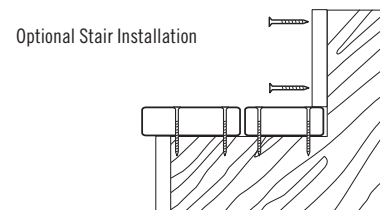
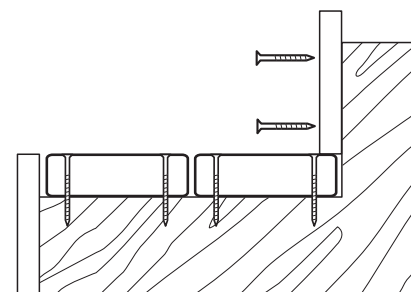
### TwinFinish, ReliaBoard, DockSider, Earthwood Evolutions, and TwinRiser Boards

**TimberTech does not recommend installing planks on steps without a riser board.**

- Stairs should be constructed per local code requirements.
- Ensure the stringer step is at least the depth of two full planks plus a 1/8" to 3/16" gap between planks.
- For gapping requirements, see page 4.
- Ensure there is at least one stringer for support in the middle of the stair span. Maximum stringer spacing for stairs is 12" on-center.

**Maximum stringer spacing for ReliaBoard and Earthwood Evolutions | Terrain is 9" on-center.**

- Attach a TimberTech TwinRiser board to the front of the bottom step. Cut the TwinRiser 1-1/4" for DockSider, 1" for TwinFinish, 15/16" for ReliaBoard and Earthwood Evolutions.
- Place the TwinRiser board directly on top of the last plank installed for the previous step to create the next step. Repeat the process above.



# TimberTech: XLM® Plank

Visit [www.timbertech.com/installation](http://www.timbertech.com/installation) to view TimberTech installation videos.

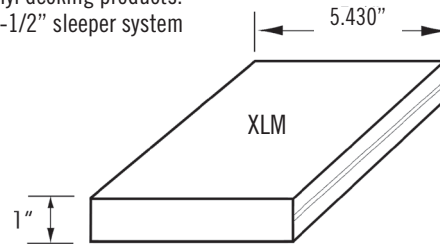
## Fastening Guidelines For XLM Solid Planks - see pages 5.

### Important Information

- TimberTech planks are intended to be installed embossed side up. The unembossed surface is not to be used as a walking surface. This applies to all decking surfaces.
- TimberTech does not recommend the use of rubber or vinyl products (welcome mats, planters, etc.) on XLM deck planks. A reaction can occur that causes discoloration of the decking under the rubber/vinyl product. This is common caution for vinyl decking products.
- In areas with obstructed airflow such as roofs and on-grade applications, a minimum of 1-1/2" sleeper system supported by and connected to the substructure over which the deck is built.

### Standard Joist Spacing

XLM Plank			
	90° Angle	30° Angle	45° Angle
100psf	16"	12"	12"



### End to End Gapping Recommendations

TimberTech XLM Planks are vinyl-based, so a certain amount of expansion and contraction is natural with significant temperature changes (refer to the gapping recommendations chart on page 4).

### XLM Installation Instructions

- Install planks from the outside of the deck and work toward house.
- Fasten 3/4" from outside edge of each plank, using two screws per joist including end joists.
- For gapping requirements, see page 4.
- For solid planks, always double joists at butt seams. Do not toe screw deck planks as this will cause splitting.
- Install fasteners perpendicular to plank surface and drive flush. Do not overdrive screws.
- When cutting XLM planking with a hand held circular saw, a thin kerf 40-tooth alternate top bevel finish blade is recommended to achieve the cleanest cuts. For a power miter or compound power miter saw, a fine finish alternate top bevel blade is also recommended.



### Installing Stairs

- Stairs should be constructed per local code requirements.
- Maximum stringer space is 10" for XLM.
- See page 9 - Solid Plank Stair Installation Steps.
- Use XLM Riser Board for riser installation.

### Installing XLM Fascia - see page 5.

## Trimming a TimberTech Deck

Visit [www.timbertech.com/installation](http://www.timbertech.com/installation) to view TimberTech installation videos.

### TimberTech Fascia Boards

#### TwinFascia®

- Cedar, Grey, and Redwood
- All colors available in two surface choices.
- 12' lengths – 9/16" thick by 12" wide.

#### Earthwood Evolutions Fascia

- Brick, Brownstone, Slate, Pacific Rosewood, Pacific Teak, Pacific Walnut, Silver Maple and Brown Oak.
- 12' lengths – 9/16" thick by 12" wide.

#### XLM Fascia

- Harbor Stone, Harvest Bronze, Mountain Cedar, RiverRock, SandRidge, RusticBark and Walnut Grove.
- All colors available in two surface choices.
- 12' lengths – 9/16" thick by 11.7" wide.

### TimberTech Stair Risers

- Use as a riser for stairs.
- Can also be used as a fascia board for a 2x8 rim joist.
- Fasten the same as TwinFascia. See fastening guidelines on pages 5-6.
- 12' lengths and 9/16" thick x 7-1/4" wide.

#### TwinRiser®

- Cedar, Grey, Redwood

#### Earthwood Evolutions Riser

- Brick, Brownstone, Slate, Pacific Rosewood, Pacific Teak, Pacific Walnut

#### XLM StairRiser

- Harbor Stone, Harvest Bronze, Mountain Cedar, RiverRock, SandRidge, RusticBark and Walnut Grove.



With proper installation and care, TimberTech products will provide years of outdoor living pleasure.

For most current recommendations, visit <http://www.timbertech.com/warranty-and-care/care-and-cleaning/default.aspx>

## Storage

Store TimberTech products under cover to maintain a clean surface. If stored outdoors, they must be covered with a non-translucent material.

- All products should be stored flat and on a dry surface.
- Stack units with banding and bottom supports aligned.

## Handling

Although all TimberTech planks are made with low-maintenance materials, each plank's unique features require special care and handling to ensuring lasting beauty.

To maintain the beauty of TimberTech products please follow these important guidelines when moving and working with TimberTech:

- Never dump TimberTech materials when unloading.
- When carrying TimberTech planks, carry on edge for better support.
- Do not slide planks against each other when moving them. When removing them from the unit, lift the planks and set them down.
- Do not slide tools or drag equipment across the top of the planks during construction.
- Keep the surface of the planks free of construction waste to prevent damage to the planks.

## Discarding Scrap Product

Scrap can be discarded with normal construction debris.

## Care & Cleaning (All products unless otherwise noted)

### Basic Cleaning Recommendations -- Floorizon, TwinFinish, ReliaBoard, DockSider and BuilderBoard

Although TimberTech products are low-maintenance, TimberTech recommends periodic cleaning of your deck to help maintain the beauty of the product. For best results a cleaner like eco-friendly Corte Clean ([www.corteclean.com](http://www.corteclean.com)) is recommended. Follow the manufacturers' application instructions.

A power washer can be used when cleaning TimberTech products. The recommended maximum pressure is 1500 psi for TimberTech decks. A fan tip nozzle should be used along with the proper cleaning product. Spray in the direction of the brush/grain pattern to avoid damaging the product. Use caution not to damage the material and always take the proper safety precautions when operating a power washer.

To remove product identification printing from the side or bottom of a TimberTech deck plank use Isopropyl Alcohol (rubbing alcohol).

### Basic Cleaning Recommendations -- XLM

For periodic maintenance cleaning, we recommend power washing the deck boards. For best results, use a maximum of 3000psi gas powered pressure washer with 25° fan tip. Hold the power wash wand at approximately a 30° angle as illustrated below to flush the board surface. Spray in the direction of the length of the plank, not across or surface damage may result. For best results the spray pattern should cover one deck board per pass. Use caution not to damage the material and always take the proper safety precautions when operating a power washer.

For heavily soiled areas or to aid in the periodic maintenance a cleaner may be used in conjunction with power washing.



### Cleaners that are recommended for use with XLM:

- Original Krud Kutter Concentrated Cleaner Degreaser/Stain Remover ([www.krudkutter.com](http://www.krudkutter.com))
- DeckMax Professional Grade Cleaner Concentrate ([www.deckmax.com](http://www.deckmax.com))
- So-Safe Heavy Duty ([www.sosafeusa.com](http://www.sosafeusa.com))

### For the best result and to prevent damage to the board please consider the following:

- It is best to complete cleaning during the early morning or evening hours when the board surface is cool to prevent cleaners from drying/evaporating on the deck surface.
- When applying cleaners, spray the boards with power washer or garden hose to pre-wet the board surface.
- Follow the manufacturer's dilution and application instructions
- It is important to thoroughly remove all cleaner from the board surface. It is recommended to use a power washer according to the instructions above for XLM periodic maintenance cleaning.

TimberTech does not recommend the use of rubber or vinyl products (welcome mats, planters, etc.) on XLM deck planks. A reaction can occur that causes discoloration of the decking under the rubber/vinyl product. This is a common caution for vinyl decking products.

### To clean Earthwood Evolutions, and XLM, we recommend the following methods:

\*Keeping an unsoiled deck surface will make cleanup after a spill much easier.

1. Immediately wipe the soiled area and remove as much of the spill as possible.
2. If the spill consists of an abrasive substance, blot the spill. Do not rub.
3. Soak the stained area with warm water and blot up with a soft towel.
4. If the stain is still evident, mix a solution of mild dishwashing detergent and warm water in a small bucket.
5. Using a clean towel or soft sponge, apply the soapy solution to the stain and allow to stand for 3 minutes.
6. After the stain has soaked attempt to wipe with a clean towel or sponge.

For periodic maintenance cleaning, rinse deck thoroughly. A soap and water solution can be used as needed.

## Ice and Snow

For ice removal, either rock salt or calcium chloride may be used without damage to the surface. However, either of these products may leave a white residue, which may be removed by either rinsing with water or a mild soap/water solution. Use care and caution to not damage the surface of your deck, a plastic shovel may be used when removing snow or ice off of it.

## Painting/Staining/Sealing

Although not recommended, TwinFinish, ReliaBoard and BuilderBoard may be painted or stained. Once the product is painted, stained or sealed, subsequent applications will be necessary to maintain appearance. TimberTech does not guarantee the performance of anything applied to the product.

Wait approximately 8-10 weeks or until the product has completed its weathering process before painting or staining. Clean your TimberTech surface prior to applying paint or stain. Never paint or stain over surfaces that may contain dirt, or mildew. Always apply paints and sealers in accordance with the manufacturers' application instructions.

Stains and sealers that are recommended for use with the above products are:

- **Bravo! Composite Deck Rejuvenator and Protectant** ([www.encorecoatings.com](http://www.encorecoatings.com))
- **Cabot Clear Solution-Oil Based** ([cabotstain.com](http://cabotstain.com))
- **Weatherall UV Guard Deck and Fence Coating** ([weatherall.com](http://weatherall.com))
- **Cabot Australian Timber Oil** ([cabotstain.com](http://cabotstain.com))

## Dirt, Grime, Tannin and Mildew Stains

TimberTech products are formulated to inhibit mildew growth and minimize staining. Rinse off your TimberTech products periodically with a hose. Even if it appears clean, it is important to prevent build-up of pollen/debris. Mildew stains may occur where moisture, pollens, and/or dirt are present. Mildew needs a food source to grow, which can be grass, pollens, dirt, debris, wood and wood resins.

Maintaining a clean, dry surface is the best method for combating mildew. Ensure that water drains effectively from your deck. Keep weep holes clear and unclogged on TimberTech Floorizon planks. For TimberTech XLM, Earthwood Evolutions, TwinFinish, DockSider and ReliaBoard, be sure that gaps exist between planks to allow for drainage.

Like any wood-based product, TimberTech's wood-plastic composite products (Floorizon, TwinFinish and DockSider, and ReliaBoard) may experience a naturally occurring process called Extractive Bleeding. This process may cause a temporary discoloration that will weather away. In most cases the weathering process takes 8-10 weeks but could vary depending on location and specific product application such as a covered porch.

If the stains have set on TwinFinish, ReliaBoard, or DockSider planks, you may want to use fine sandpaper and sand lightly followed by a wire brush to re-grain the decking. Always follow the wood grain finish of the plank. The sanded area will weather back in approximately 8-10 weeks but can vary depending on location and specific application.

**Do not** apply this method to Earthwood Evolutions planks, XLM planks, or BuilderBoard.

Cleaners that are recommended for periodic cleaning or use with TwinFinish, DockSider, ReliaBoard, BuilderBoard, TimberTech are:

- **Super Deck Composite Deck Cleaner** ([superdeck.com](http://superdeck.com))
- **Corte Clean** ([corteclean.com](http://corteclean.com))
- **E Z Off Composite Wood Cleaner** ([sunbritesupply.com](http://sunbritesupply.com))
- **Thompson's Water Seal—Oxy Action** ([thompsonswaterseal.com](http://thompsonswaterseal.com))

## Spot Stains

Many stains can be cleaned with soap and water. If the stains have set, the following cleaners have been found to remove or reduce the stains. Always

follow the manufacturer's instructions to achieve maximum results. Areas cleaned may lighten; this will require 8-10 weeks exposure to the sun to match the remaining product.

## TwinFinish, ReliaBoard, DockSider and BuilderBoard:

### Tree Sap

- Krud Cutter ([krudcutter.com](http://krudcutter.com))
- Simple Green ([simplegreen.com](http://simplegreen.com))

### Spray Paint

- Lift Off #4 ([liftoffinc.com](http://liftoffinc.com))

### Oil, Grease

- Krud Cutter ([krudcutter.com](http://krudcutter.com))
- Oil Eater ([oileater.com](http://oileater.com))

### BBQ, Ketchup, Mustard, Jelly and Jam

- Krud Cutter ([krudcutter.com](http://krudcutter.com))

### Wine

- Wine Away ([wineaway.com](http://wineaway.com))

### Kool-Aid

- Oxi Clean ([oxiclean.com](http://oxiclean.com))

## Scratches, Nicks, Cuts and Grooves

### TwinFinish, ReliaBoard, DockSider, and TwinFascia

Scratches, nicks, cuts and grooves can be eliminated by using a wire brush. Brush in the direction of the grain of the product. The brushed area will weather back in approximately 8-10 weeks.

## TimberTech Code Listings

Once a product is tested by an independent lab, an application and report is submitted to one of several agencies that provide listings for building products that meet the requirements of Acceptance Criteria 174 (AC 174) as set forth by the International Code Council Evaluation Service (ICC-ES). TimberTech currently has listings from the ICC-ES and Architectural Testing Inc. The following TimberTech reports on code compliance are available to download on [www.timbertech.com](http://www.timbertech.com).



### ICC Evaluation Service, Inc.

#### ICC ESR-1400

- Ornamental Rail System

### ATI Architectural Testing, Inc.

#### CCRR-0114

- RadianceRail

#### CCRR-0129

- BuilderRail

#### CCRR-0128

- DockSider
- Earthwood Grooved & Solid
- TwinFinish Grooved & Solid
- Floorizon
- ReliaBoard
- XLM Grooved & Solid
- Earthwood Evolutions Grooved & Solid

### Canadian Construction Materials Centre

#### CCMC 13303-R

- Floorizon Plank

#### CCMC 13304-R

- TwinFinish Plank
- Earthwood Plank

## Fire Resistant Decking

Fire regulations and codes continue to become more important in the building industry. TimberTech is committed to manufacturing products that are compliant with these requirements and safe for our customers.

### TimberTech Decking Meets California Fire Codes\*

Based on extensive testing, the following TimberTech products meet the California State Fire Marshal and San Diego County requirements for use in the Wildland Urban Interface (WUI)\*\* areas:

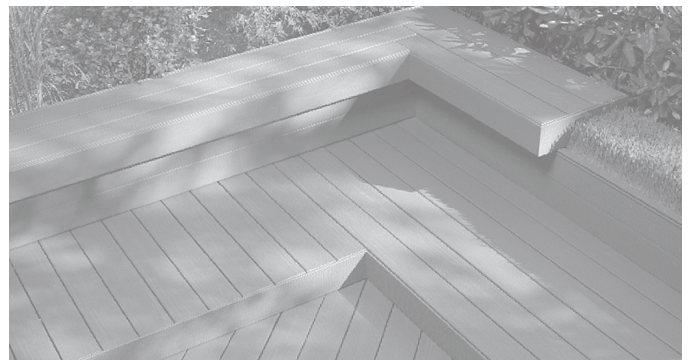
- XLM® All Colors: Class B Flame Spread Rating\*\*\*
- Earthwood®: All colors; Class B Flame Spread Rating
- TwinFinish®: All colors; Class B Flame Spread Rating
- DockSider™: All colors; Class B Flame Spread Rating
- ReliaBoard™: All colors; Class B Flame Spread Rating
- Earthwood Evolutions Natural & Tropical™: Currently in Testing\*

Earthwood, TwinFinish, and DockSider plank must be installed with a 1/8" gap to be in compliance in California.

\*View the technical information on [www.timbertech.com](http://www.timbertech.com) for most current fire code classifications.

\*\*A listing of TimberTech compliant products is available in the Wildland Urban Interface Compliance Handbook published by the State Fire Marshals office in California. The handbook can be viewed online at <http://www.osfm.fire.ca.gov/structureengineer/pdf/bml/wuiproducts.pdf>.

\*\*\*Currently in testing for San Diego County



# TimberTech Material Properties<sup>1</sup>

TimberTech Material Properties <sup>1</sup>			
PROPERTY	Standard	RESULTS	RESULTS (Metric)
Flame Spread Index	ASTM E84	70	70
		Earthwood Evolutions	85
Smoke Development	CAN/ULC S102.2	61	61
		Earthwood Evolutions	200
Burning Brand	ASTM E84	450	450
	ASTM E84	351	351
	CAN/ULC S102.2		
UnderDeck Test	E108-modified	Class B <sup>2</sup>	
	San Diego County	Pass <sup>3</sup>	
Flash Point	San Diego County	Pass <sup>3</sup>	
	CA SFM 12-7-4	Pass <sup>3</sup>	
Spontaneous Ignition	ASTM D1929	651°F	344°C
Coefficient of Thermal Expansion	ASTM D1929	788°F	420°C
width	ASTM D696	3.4x10 <sup>-5</sup> in/in/F°	6.1x10 <sup>-5</sup> mm/mm/°c
length		2.0 x 10 <sup>-5</sup> in/in/F°	3.6 x 10 <sup>-5</sup> mm/mm/°c
Floorizon Plank			
Flexural Stiffness <sup>4</sup>		426,508 lb-in <sup>2</sup>	1,224,000 kN-mm <sup>2</sup>
Moment Capacity <sup>4</sup>		2,548 in-lb	287,900 N-mm
Earthwood Evolutions			
Flexural Stiffness <sup>4</sup>		218900 lb-in <sup>2</sup>	628,203 kN-mm <sup>2</sup>
Moment Capacity <sup>4</sup>		2510 in-lb	283,592 N-mm
TwinFinish			
Flexural Stiffness <sup>4</sup>	ASTM D 6109	292052 lb-in <sup>2</sup>	838,136 kN-mm <sup>2</sup>
Moment Capacity <sup>4</sup>		2669 in-lb	301,557 N-mm
ReliaBoard			
Flexural Stiffness <sup>4</sup>		207046 lb-in <sup>2</sup>	595,218 kN-mm <sup>2</sup>
Moment Capacity <sup>4</sup>		2057 in-lb	232,410 N-mm
DockSider			
Flexural Stiffness <sup>4</sup>		619200 lb-in <sup>2</sup>	1,776,993 kN-mm <sup>2</sup>
Moment Capacity <sup>4</sup>		4536 in-lb	512,499 N-mm
Compression Parallel to Extrusion Direction <sup>4</sup>	ASTM D 143	2685 psi	18.5 MPA
Compression Perpendicular to Extrusion Direction <sup>4</sup>	ASTM D 143	4649 psi	32.0 Mpa
Tensile <sup>4</sup>	ASTM D 638	1734 psi	11.9 Mpa
Shear <sup>4</sup>	ASTM D 143	1274 psi	8.8 Mpa
HDT 264 (psi)	ASTM D 648	206°F	1.82MPA / 96.7°C
Vicat 1 kg	ASTM D 1525	274°F	134.4°C
Shore D Hardness	ASTM D 2240	D85	D85
Specific Gravity gm/cc <sup>3</sup>	ASTM D 792	1.2	1.2
Termite Resistance	ASTM D 3345	Equivalent to preservative treated lumber	
Fungus Resistance		rating = no decay	
(brown and white rot fungi)	ASTM D 1413		
Coefficient of Friction			
Brushed Surface			
dry		0.77	
wet		0.56	
VertiGrain			
dry		0.63	
wet	ASTM F1679	0.55	
WoodGrain			
dry		0.54	
wet		0.43	
Earthwood Evolutions <sup>5</sup>			
dry		0.50	
wet		0.45	
Water Absorption			
%mass	ASTM D1037	<1.29%	<1.29%

- 1) All decking profiles with exception of XLM.
- 2) Comparable to wood.
- 3) Does not include Floorizon or Earthwood Evolutions planking. Please see website for most current information.
- 4) Mean ultimate values for comparison only.
- 5) Values based on ASTM D2394 also available

# XLM Material Properties<sup>1</sup>

XLM TimberTech Material Properties <sup>1</sup>			
PROPERTY	ASTM	RESULTS	RESULTS (Metric)
Flame Spread	E84	30	30
	CA SFM 12-7-4	Pass <sup>2</sup>	
Coefficient of Thermal Expansion	ASTM D 696		
width		$2.8 \times 10^{-5}$ in/in/°F	$5.04 \times 10^{-5}$ mm/mm/°C
length		$2.7 \times 10^{-5}$ in/in/°F	$4.86 \times 10^{-5}$ mm/mm/°C
Flexural Stiffness (at 3% strain)	D 6109	105,000 lb-in <sup>2</sup>	301332 kN-mm <sup>2</sup>
Moment Capacity (at 3% strain)	D 6109	3783 in-lb	427422 N-mm
Wind Uplift Resistance CONCEALoc	E 330	173 psf	1.36 Mpa
Shore Hardness	D2240	D60	D60
Coefficient of Friction	F 1679	0.86 dry	
		0.83 wet	
Specific Gravity gm/cc	D792	≈0.71 g/cm <sup>3</sup>	
(brown and white rot fungi)		Not Applicable	
Water Absorption	D1037		
%mass		<.8%	<.8%

1) Values for Strength and Stiffness are the mean ultimate values at 3% strain for comparison only.

2) See Web site for updates.

# 25-Year Limited Fade and Stain Warranty

## Earthwood Evolutions decking, fascia, and riser

---

Statement of Warranty: This warranty is given to the original residential purchaser (“Purchaser”), of TimberTech Limited (“TimberTech”) Earthwood Evolutions decking (the “Product”). For purposes of this warranty, a residential Purchaser shall refer to a single-family residential homeowner.

TimberTech warrants to Purchaser that, for a period of twenty-five (25) years from the date of the original consumer purchase (the “Term”), under normal use and service conditions:

(1) The Product’s color will not fade from light and weathering exposure, as measured by a color change of more than 5 Delta E (CIE) units. While the Product is designed to resist fading, no material is fade proof when subjected to years of exposure to ultraviolet (UV) rays and the elements.

(2) The Product will resist permanent staining from food and beverage items that may be spilled onto the surface of the Product, including items such as condiments (barbecue sauce, ketchup, mustard, mayonnaise), salad dressing and salad oils, grease, tea, wine, coffee, fruit punch, sodas and other food and beverage related items that would typically be present on a residential deck, provided that such substances are removed from the Product with soap and water or mild household cleaners after no more than one (1) week of exposure of the substances to the surface of the Product.

Notwithstanding the foregoing, TimberTech does not warrant that the Product is stain-proof, and does not warrant stain resistance resulting from spilled or otherwise applied food and beverage substances which are not properly cleaned as provided above within one (1) week of exposure. In addition, this warranty does not cover any staining or damage to the Product resulting from abrasive compounds of acidic or basic pH, paints or stains, strong solvents, metallic rust or other abnormal residential deck use items, and non-food and non-beverage substances, including, but not limited to, biocides, fungicides, plant foods or other bactericides.

All warranties are subject to the exclusions, limitations and restrictions set forth in the foregoing paragraph and below.

Standard TimberTech 25 Year Limited Residential Warranty. This warranty is in addition to the standard TimberTech Limited 25 Year Limited Residential Warranty that applies to TimberTech alternative decking materials.

Obtaining Warranty Performance: Purchaser must do as follows in order to make a claim under this warranty:

Claims Regarding Stain-Resistance: If the Purchaser is making a claim relating to the warranty on stain resistance, Purchaser must do all of the following (in addition to the procedures set forth below for All Claims):

1. Attempt to clean the affected area of the Product by using the cleaning procedures described above within one (1) week of exposure of the food or beverage to the surface of the Product.
2. If, after completing step 1 above, the affected area remains reasonably unsatisfactory, then Purchaser must have the affected area of the Product cleaned by a professional deck cleaner at Purchaser’s expense.
3. If, after completing steps 1 and 2 above, the affected area still remains reasonably unsatisfactory, Purchaser may make a claim under this warranty as provided herein, provided that such claim is made within thirty (30) days after the professional cleaning is completed.

All Claims: Purchaser, must no later than the end of the Term, send to TimberTech proof of purchase, a description and photographs of the affected area of the Product, and, if the claim relates to the warranty on stain resistance, and reasonable proof of compliance with the requirements set forth above under “Claims Regarding Stain-Resistance,” to the following address:

TimberTech Limited

894 Prairie Avenue

Wilmington, Ohio 45177

Attn: Claims Department

TimberTech reserves the right to request additional information in connection with the warranty claim.

After reviewing all information, TimberTech will make a determination regarding the validity of the claim submitted. If TimberTech determines that the Purchaser’s claim is valid, TimberTech will, at its sole option, either replace the affected item or refund the portion of the purchase price paid by the Purchaser for such affected item (not including the cost of its initial installation). Replacement material will be provided that is as close as possible in color, design and quality as the replaced material, but TimberTech does not guarantee an exact match as colors and design may change.

If Purchaser makes a valid warranty claim hereunder during years eleven (11) through twenty-five (25) after the original purchase, then Purchaser’s recovery will be prorated as indicated below. If TimberTech is providing replacement materials, it may elect to replace the percentage listed below of boards otherwise meeting the requirements for a claim; if TimberTech is refunding the purchase price, it may elect to refund the percentage listed below of the purchase price of boards otherwise meeting the requirements for a claim.

(Continued)

# 25-Year Limited Fade and Stain Warranty (continued)



## Earthwood Evolutions decking, fascia, and riser

<u>Year of Warranty Claim</u>	<u>Percentage Recovery</u>
11	80%
12	80%
13	80%
14	60%
15	60%
16	60%
17	40%
18	40%

<u>Year of Warranty Claim</u>	<u>Percentage Recovery</u>
19	40%
20	20%
21	20%
22	20%
23	10%
24	10%
25	10%

This warranty shall not cover, and TimberTech shall not be responsible for, costs and expenses incurred with respect to the removal of affected Product or the installation of replacement materials, including but not limited to, labor and freight. The foregoing remedies are the SOLE AND EXCLUSIVE REMEDY FOR BREACH OF ANY WARRANTY.

**Transfer of Warranty:** This warranty may be transferred one (1) time, within the five (5) year period beginning from the date of original purchase by Purchaser, to a subsequent buyer of the property upon which the Product was originally installed.

### Exclusions from Warranty Coverage:

TimberTech does not warrant against and is not responsible for, and no implied warranty shall be deemed to cover, any product failure, product malfunction, condition or damages attributable to the following: (1) improper installation of the Product and/or failure to abide by TimberTech's installation guidelines, including but not limited to improper gapping; (2) use of the Product beyond normal residential use, or in an application not recommended by the TimberTech installation guidelines and local building codes; (3) movement, distortion, collapse or settling of the ground or the supporting structure on which the Product is installed; (4) exposure to, or direct or indirect contact with extreme heat sources (over 250 degrees), which may damage the surface of the product and cause the Product to fade; (5) any act of God (such as flooding, hurricane, earthquake, lightning, etc.) or environmental condition (such as air pollution, mold, mildew, etc.), (6) improper handling, storage, abuse or neglect of the Product by Purchaser, the transferee or third parties; (7) any fading or staining not on the surface of the Product (i.e., the underside or the ends of the Product); or (8) ordinary wear and tear.

In addition, this warranty will be voided if (1) paint, stain or other coating materials are applied to the Product, or (2) the surface of the Product has been damaged or punctured, including as a result of contact with shovels or similar sharp-edged tools. Such tools should not be used under any circumstance to remove snow, ice, or other debris from the surface of the product.

Purchaser is solely responsible for determining the effectiveness, fitness, suitability and safety of the Product in connection with its use in any particular application.

**Limitations: DISCLAIMER OF WARRANTIES:** EXCEPT FOR THE EXPRESS WRITTEN WARRANTY CONTAINED HEREIN AND IN THE TIMBERTECH LIMITED 25 YEAR LIMITED RESIDENTIAL WARRANTY, TIMBERTECH MAKES NO OTHER WARRANTIES, GUARANTEES OR INDEMNITIES, WHETHER EXPRESS OR IMPLIED, ARISING BY LAW, COURSE OF DEALING, USAGE OF TRADE, CUSTOM OR OTHERWISE, INCLUDING BUT NOT LIMITED TO THE IMPLIED WARRANTY OF MERCHANTABILITY AND IMPLIED WARRANTY OF FITNESS FOR A PARTICULAR PURPOSE, AND ALL SUCH OTHER WARRANTIES, GUARANTEES AND INDEMNITIES ARE HEREBY DISCLAIMED, OVERRIDDEN AND EXCLUDED FROM THIS TRANSACTION.

Some states do not allow limitations on how long an implied warranty lasts so the above limitation may not apply to you.

**LIMITATION OF REMEDIES AND EXCLUSION OF CONSEQUENTIAL AND INCIDENTAL DAMAGES:** TIMBERTECH'S LIABILITIES ARE LIMITED SOLELY AND EXCLUSIVELY TO THE OBLIGATIONS SPECIFICALLY UNDERTAKEN HEREIN, AND UNDER NO CIRCUMSTANCES WILL TIMBERTECH BE LIABLE OR OBLIGATED FOR ANY INCIDENTAL, CONSEQUENTIAL, INDIRECT, SPECIAL, PUNITIVE OR ANY OTHER DAMAGES OF ANY KIND WHATSOEVER (INCLUDING, BUT NOT LIMITED TO, LOST PROFITS, LOST SALES, LOSS OF GOODWILL, USE OF MONEY, USE OF GOODS, STOPPAGE OF WORK, OR IMPAIRMENT OF ASSETS), WHETHER FORESEEABLE OR UNFORESEEABLE, ARISING OUT OF BREACH OR FAILURE OF EXPRESS OR IMPLIED WARRANTY, BREACH OF CONTRACT, FRAUD, MISREPRESENTATION, NEGLIGENCE, STRICT LIABILITY IN TORT OR OTHERWISE, EXCEPT AND ONLY TO THE EXTENT THIS LIMITATION IS SPECIFICALLY PRECLUDED BY APPLICABLE LAW OF MANDATORY APPLICATION. TIMBERTECH'S LIABILITY WITH RESPECT TO DEFECTIVE PRODUCTS SHALL IN NO EVENT EXCEED THE REPLACEMENT OF SUCH PRODUCTS OR REFUND OF THE PURCHASE PRICE, AS DESCRIBED ABOVE.

Some states do not allow the exclusion or limitation of incidental or consequential damages, so the above limitation or exclusion may not apply to you. This warranty gives you specific legal rights, and you may also have other rights that vary from state to state.

**Miscellaneous:** This writing is understood and intended to be the final expression of the parties' agreement and is a complete and exclusive statement of the terms and conditions with respect thereto, superseding all prior agreements or representations, oral or written, and all other communication between the parties relating to the subject matter of this agreement. This warranty may not be altered or amended except in a written instrument signed by TimberTech and Purchaser or permitted transferee. No agent, employee or any other party is authorized to make any warranty in addition to that made in this agreement and TimberTech shall not be bound by any such statements other than those contained in this warranty.

This warranty is effective for purchases by residential purchasers made on or after January 1, 2011.

Copyright © 2011 TimberTech.

# 25-Year Limited Residential Warranty

## 10-Year Limited Commercial Warranty



### Alternative decking materials, rail systems, accessories and the DrySpace deck drainage system

**Statement of Warranty:** This warranty is given to the original purchaser, residential or commercial as the case may be ("Purchaser"), of TimberTech alternative decking materials, rail systems (excluding all metal baluster components of such rail systems and DeckLites, which are covered under separate warranties), and accessories (individually and collectively "Decking Materials") and the DrySpace deck drainage system ("DrySpace" and, collectively with the Decking Materials, the "TimberTech Products"). This warranty does not extend to fasteners that are not supplied by TimberTech. For purposes of this warranty, a residential Purchaser shall refer to a single-family residential homeowner and a commercial Purchaser shall refer to any Purchaser other than a single-family residential homeowner.

TimberTech Limited ("TimberTech") warrants to Purchaser that, for a period of twenty-five (25) years (Residential) & ten (10) years (Commercial) from the date of the original purchase, residential or commercial as the case may be, (the "Term"), under normal use and service conditions, that: (1) the Decking Materials will be free from material defects in workmanship and materials, and will not check, split, splinter, rot or suffer structural damage from termites or fungal decay; and (2) DrySpace will not peel, blister, pit, flake, crack or corrode as a result of manufacturing defects, or as a result of exposure to ocean air (salt spray).

All warranties are subject to the exclusions, limitations and restrictions set forth below.

**Obtaining Warranty Performance:** If Purchaser discovers a defect in the TimberTech Products during the Term, Purchaser must, within thirty (30) days from the discovery of the alleged defect but **no later than the end of the Term**, notify TimberTech in writing, at the following address:

TimberTech Limited  
894 Prairie Avenue  
Wilmington, Ohio 45177  
Attn: Claims Department

Purchaser must include in this notification proof of purchase and a statement explaining the defect. TimberTech may request additional information. After reviewing all information, TimberTech will make a determination regarding the validity of such claim. If TimberTech determines that Purchaser's claim is valid, TimberTech will, at its option, either replace the defective TimberTech Products or refund the portion of the purchase price paid by Purchaser for such defective TimberTech Products (not including the cost of its initial installation).

If a residential Purchaser makes a valid warranty claim hereunder during years eleven (11) through twenty-five (25) after the original purchase, then the residential Purchaser's recovery will be prorated as indicated below. If TimberTech is providing replacement materials, it may elect to replace the percentage listed below of boards otherwise meeting the requirements for a claim; if TimberTech is refunding the purchase price, it may elect to refund the percentage listed below of the purchase price of boards otherwise meeting the requirements for a claim.

Year of Claim	Recovery
11	80%
12	80%
13	80%
14	60%
15	60%

Year of Claim	Recovery
16	60%
17	40%
18	40%
19	40%
20	20%

Year of Claim	Recovery
21	20%
22	20%
23	10%
24	10%
25	10%

This warranty shall not cover, and TimberTech shall not be responsible for, costs and expenses incurred with respect to the removal of the defective TimberTech Products or the installation of replacement materials, including but not limited to, labor and freight. The foregoing remedies are the **SOLE AND EXCLUSIVE REMEDY FOR BREACH OF ANY WARRANTY**.

**Transfer of Warranty:** This warranty may be transferred one (1) time, within the five (5) year period beginning from the date of original purchase by Purchaser, to a subsequent buyer of the property upon which the TimberTech Products were originally installed.

**Exclusions from Warranty Coverage:** TimberTech does not warrant against and is not responsible for, and no implied warranty shall be deemed to cover, any product failure, product malfunction, or damages attributable to: (1) improper installation of the TimberTech Products and/or failure to abide by TimberTech's installation guidelines, including but not limited to improper gapping; (2) use of TimberTech Products beyond normal use, or in an application not recommended by the TimberTech installation guidelines and local building codes; (3) movement, distortion, collapse or settling of the ground or the supporting structure on which the TimberTech Products are installed; (4) any act of God (such as flooding, hurricane, earthquake, lightning, etc.), environmental condition (such as air pollution, mold, mildew, etc.), or staining from foreign substances (such as dirt, grease, oil, etc.); (5) variations or changes in color of TimberTech Products; (6) normal weathering due to exposure to sunlight, weather and atmosphere which can cause colored surfaces to, among other things, flake, chalk, or accumulate dirt or stains; (7) improper handling, storage, abuse or neglect of the TimberTech Products by Purchaser, the transferee or third parties; (8) any fasteners not supplied by TimberTech; or (9) minor dripping from DrySpace.

Purchaser is solely responsible for determining the effectiveness, fitness, suitability and safety of the TimberTech Products in connection with their use in any particular application.

**Limitations: DISCLAIMER OF WARRANTIES:** EXCEPT FOR (1) THE EXPRESS WRITTEN WARRANTY CONTAINED HEREIN, AND, (2) THE 25 YEAR LIMITED RESIDENTIAL FADE AND STAIN WARRANTY APPLICABLE TO EARTHWOOD EVOLUTIONS DECKING ONLY (WHICH IS IN ADDITION TO THE WARRANTY CONTAINED HEREIN), TIMBERTECH MAKES NO OTHER WARRANTIES, GUARANTEES OR INDEMNITIES, WHETHER EXPRESS OR IMPLIED, ARISING BY LAW, COURSE OF DEALING, USAGE OF TRADE, CUSTOM OR OTHERWISE, INCLUDING BUT NOT LIMITED TO THE IMPLIED WARRANTY OF MERCHANTABILITY AND IMPLIED WARRANTY OF FITNESS FOR A PARTICULAR PURPOSE, AND ALL SUCH OTHER WARRANTIES, GUARANTEES AND INDEMNITIES ARE HEREBY DISCLAIMED, OVERRIDDEN AND EXCLUDED FROM THIS TRANSACTION FOR THE WARRANTY TERM AND BEYOND THE WARRANTY TERM.

Some states do not allow limitations on how long an implied warranty lasts so the above limitation may not apply to you.

**LIMITATION OF REMEDIES AND EXCLUSION OF CONSEQUENTIAL AND INCIDENTAL DAMAGES:** TIMBERTECH'S LIABILITIES ARE LIMITED SOLELY AND EXCLUSIVELY TO THE OBLIGATIONS SPECIFICALLY UNDERTAKEN HEREIN, AND UNDER NO CIRCUMSTANCES WILL TIMBERTECH BE LIABLE OR OBLIGATED FOR ANY INCIDENTAL, CONSEQUENTIAL, INDIRECT, SPECIAL, PUNITIVE OR ANY OTHER DAMAGES OF ANY KIND WHATSOEVER (INCLUDING, BUT NOT LIMITED TO, LOST PROFITS, LOST SALES, LOSS OF GOODWILL, USE OF MONEY, USE OF GOODS, STOPPAGE OF WORK, OR IMPAIRMENT OF ASSETS), WHETHER FORESEEABLE OR UNFORESEEABLE, ARISING OUT OF BREACH OR FAILURE OF EXPRESS OR IMPLIED WARRANTY, BREACH OF CONTRACT, FRAUD, MISREPRESENTATION, NEGLIGENCE, STRICT LIABILITY IN TORT OR OTHERWISE, EXCEPT AND ONLY TO THE EXTENT THIS LIMITATION IS SPECIFICALLY PRECLUDED BY APPLICABLE LAW OF MANDATORY APPLICATION. TIMBERTECH'S LIABILITY WITH RESPECT TO DEFECTIVE PRODUCTS SHALL IN NO EVENT EXCEED THE REPLACEMENT OF SUCH PRODUCTS OR REFUND OF THE PURCHASE PRICE, AS DESCRIBED ABOVE.

Some states do not allow the exclusion or limitation of incidental or consequential damages, so the above limitation or exclusion may not apply to you. This warranty gives you specific legal rights, and you may also have other rights that vary from state to state.

**Miscellaneous:** This writing is understood and intended to be the final expression of the parties' agreement and is a complete and exclusive statement of the terms and conditions with respect thereto, superseding all prior agreements or representations, oral or written, and all other communication between the parties relating to the subject matter of this agreement. This warranty may not be altered or amended except in a written instrument signed by TimberTech and Purchaser or permitted transferee. No agent, employee or any other party is authorized to make any warranty in addition to that made in this agreement and TimberTech shall not be bound by any such statements other than those contained in this warranty.

This warranty shall only be applicable and enforceable in the United States of America.

This warranty is effective for purchases (residential or commercial, as the case may be) made on or after January 1, 2011.

Copyright (c) 2011 TimberTech.



# TOPLoc™ 25-Year Residential Warranty Against Corrosion

## TOPLoc™ 10-Year Commercial Warranty Against Corrosion

### TOPLoc Fascia and Face Fastening

---

**Statement of Warranty:** This warranty is given to the original purchaser, residential or commercial as the case may be ("Purchaser"), of TimberTech TOPLoc™ exterior (i) ACQ Rated and Composite screws, and (ii) stainless steel screws (collectively, the "TOPLoc™ Screws"). For purposes of this warranty, a residential Purchaser shall refer to a single-family residential homeowner and a commercial Purchaser shall refer to any Purchaser other than a single-family residential homeowner.

TimberTech Limited ("TimberTech") warrants to Purchaser that, for a period of twenty-five (25) years (Residential) & ten (10) years (Commercial) from the date of the original purchase, residential or commercial as the case may be, (the "Term"), under normal use and service conditions, that the TOPLoc™ Screws will not corrode due to exposure to (i) normal environmental conditions, or (ii) corrosives contained in natural wood species, treated lumber, or plastic/wood composite decking material, or (iii) to exposure to chemicals used, as of January 1, 2007, in pressure treated lumber formulations designated as, ACQ, MCQ, Copper Quat, or Copper Azole types CBA-A and CA-B; provided, however, that TOPLoc™ ACQ Rated and Composite screws are not warranted for use on or near the water, including but not limited to, applications such as docks, boardwalks or piers (only TOPLoc™ stainless steel Screws are warranted for such applications).

All warranties are subject to the additional exclusions, limitations and restrictions set forth below.

**Obtaining Warranty Performance:** If Purchaser discovers a defect in the TOPLoc™ Screws during the Term, Purchaser must, within thirty (30) days from the discovery of the alleged defect but no later than the end of the Term, notify TimberTech in writing, at the following address:

TimberTech Limited  
894 Prairie Avenue  
Wilmington, Ohio 45177  
Attn: Claims Department

Purchaser must include in this notification proof of purchase and a statement explaining the defect. TimberTech may request additional information. After reviewing all information, TimberTech will make a determination regarding the validity of such claim. For any claim that TimberTech determines to be valid, TimberTech will replace the defective TOPLoc™ Screws. It is the sole responsibility of Purchaser to arrange and to pay for the return to TimberTech of any TOPLoc™ Screws to which this warranty applies.

This warranty shall not cover, and TimberTech shall not be responsible for, costs and expenses incurred with respect to the removal of the defective TOPLoc™ Screws or the installation of replacement materials, including but not limited to, labor and freight. The foregoing remedy is the SOLE AND EXCLUSIVE REMEDY FOR BREACH OF ANY WARRANTY.

**Transfer of Warranty:** This warranty may be transferred one (1) time, within the five (5) year period beginning from the date of original purchase by Purchaser, to a subsequent buyer of the property upon which the TOPLoc™ Screws were originally installed.

**Exclusions from Warranty Coverage:** TimberTech does not warrant against and is not responsible for, and no implied warranty shall be deemed to cover, any product failure, product malfunction, or damages attributable to: (1) improper installation of the TOPLoc™ Screws and/or failure to abide by TimberTech's installation guidelines; or (2) use of TOPLoc™ Screws beyond normal use, or in an application not recommended by the TimberTech installation guidelines and local building codes.

Purchaser is solely responsible for determining the effectiveness, fitness, suitability and safety of the TOPLoc™ Screws in connection with their use in any particular application.

**ALL IMPLIED WARRANTIES, INCLUDING BUT NOT LIMITED TO THE IMPLIED WARRANTY OF MERCHANTABILITY AND IMPLIED WARRANTY OF FITNESS FOR A PARTICULAR PURPOSE, ARE LIMITED IN DURATION TO THE TWENTY-FIVE YEAR DURATION OF THE RESIDENTIAL LIMITED WARRANTY AND ARE DISCLAIMED FOR ALL PERIODS THEREAFTER.**

**Limitations: DISCLAIMER OF WARRANTIES (RESIDENTIAL PURCHASER):** EXCEPT FOR THE EXPRESS WRITTEN WARRANTY CONTAINED HEREIN, TIMBERTECH MAKES NO OTHER EXPRESS WARRANTIES, GUARANTEES OR INDEMNITIES, ARISING BY COURSE OF DEALING, USAGE OF TRADE OR CUSTOM, AND ALL SUCH OTHER EXPRESS WARRANTIES, GUARANTEES AND INDEMNITIES ARE HEREBY DISCLAIMED, OVERRIDDEN AND EXCLUDED FROM THIS TRANSACTION FOR THE WARRANTY TERM AND BEYOND THE WARRANTY TERM.

**Limitations: DISCLAIMER OF WARRANTIES (COMMERCIAL PURCHASERS):** EXCEPT FOR THE EXPRESS WRITTEN WARRANTY CONTAINED HEREIN, TIMBERTECH MAKES NO OTHER WARRANTIES, GUARANTEES OR INDEMNITIES, WHETHER EXPRESS OR IMPLIED, ARISING BY LAW, COURSE OF DEALING, USAGE OF TRADE, CUSTOM OR OTHERWISE, INCLUDING BUT NOT LIMITED TO THE IMPLIED WARRANTY OF MERCHANTABILITY AND IMPLIED WARRANTY OF FITNESS FOR A PARTICULAR PURPOSE, AND ALL SUCH OTHER WARRANTIES, GUARANTEES AND INDEMNITIES ARE HEREBY DISCLAIMED, OVERRIDDEN AND EXCLUDED FROM THIS TRANSACTION FOR THE WARRANTY TERM AND BEYOND THE WARRANTY TERM.

Some states do not allow limitations on how long an implied warranty lasts so the above limitation may not apply to you.

**LIMITATION OF REMEDIES AND EXCLUSION OF CONSEQUENTIAL AND INCIDENTAL DAMAGES:** TIMBERTECH'S LIABILITIES ARE LIMITED SOLELY AND EXCLUSIVELY TO THE OBLIGATIONS SPECIFICALLY UNDERTAKEN HEREIN, AND UNDER NO CIRCUMSTANCES WILL TIMBERTECH BE LIABLE OR OBLIGATED FOR ANY INCIDENTAL, CONSEQUENTIAL, INDIRECT, SPECIAL, PUNITIVE OR ANY OTHER DAMAGES OF ANY KIND WHATSOEVER (INCLUDING, BUT NOT LIMITED TO, LOST PROFITS, LOST SALES, LOSS OF GOODWILL, USE OF MONEY, USE OF GOODS, STOPPAGE OF WORK, OR IMPAIRMENT OF ASSETS), WHETHER FORESEEABLE OR UNFORESEEABLE, ARISING OUT OF BREACH OR FAILURE OF EXPRESS OR IMPLIED WARRANTY, BREACH OF CONTRACT, FRAUD, MISREPRESENTATION, NEGLIGENCE, STRICT LIABILITY IN TORT OR OTHERWISE, EXCEPT AND ONLY TO THE EXTENT THIS LIMITATION IS SPECIFICALLY PRECLUDED BY APPLICABLE LAW OF MANDATORY APPLICATION. TIMBERTECH'S LIABILITY WITH RESPECT TO DEFECTIVE PRODUCTS SHALL IN NO EVENT EXCEED THE REPLACEMENT OF SUCH PRODUCTS, AS DESCRIBED ABOVE.

Some states do not allow the exclusion or limitation of incidental or consequential damages, so the above limitation or exclusion may not apply to you. This warranty gives you specific legal rights, and you may also have other rights that vary from state to state.

**Miscellaneous:** This writing is understood and intended to be the final expression of the parties' agreement and is a complete and exclusive statement of the terms and conditions with respect thereto, superseding all prior agreements or representations, oral or written, and all other communication between the parties relating to the subject matter of this agreement. This warranty may not be altered or amended except in a written instrument signed by TimberTech and Purchaser or permitted transferee. No agent, employee or any other party is authorized to make any warranty in addition to that made in this agreement and TimberTech shall not be bound by any such statements other than those contained in this warranty.

This warranty is effective for purchases (Residential or Commercial, as the case may be) made on or after January 1, 2011.

Copyright (c) 2011 TimberTech.

Every TimberTech product is backed by exceptional customer service and a commitment to quality.

**Decking, Railing & Fencing** — TimberTech decking, railing and fencing products are backed by a 25-year limited warranty for residential applications and a 10-year limited warranty for commercial applications.\*

TimberTech products are guaranteed against: • Termites • Decay • Checking • Rotting • Splitting • Splintering

\* This does not include BuilderRail metal balusters which are covered by a 10-year limited warranty against cracking, peeling, blistering, and corrosion.

**DeckLites** — TimberTech DeckLites are covered by a 5-year limited warranty for residential applications.

**DrySpace** — TimberTech DrySpace has a 25-year residential limited warranty on products purchased on or after January 1, 2007. DrySpace products purchased prior to this date have a 5-year limited warranty.

**To Make a Claim** — To make a claim under either warranty, purchaser or the transferee, must send to TimberTech, within the warranty period referred to above, a description of the claimed defect and proof of purchase. Warranty Information Packets can be obtained from TimberTech.

**TimberTech Limited** • Attn: Claims Department  
894 Prairie Avenue, Wilmington, Ohio 45177 Or call 1-800-307-7780

For a copy of TimberTech's complete warranty visit [www.timbertech.com](http://www.timbertech.com).

**Warranty Registration is Easy**

- The easiest way to register a warranty is to visit [www.timbertech.com](http://www.timbertech.com) and select the Warranty & Care link, then select Register Online.
- You may prefer to fill out the Warranty Card below and mail it to TimberTech, accordingly to the instructions on the card.

**Remember, to ensure your product is covered by the TimberTech Warranty it must be installed properly.**

TimberTech LTD disclaims any liability or responsibility for the improper installation of this product. The purchaser is solely responsible for compliance with applicable local codes as to the deck's intended use. TimberTech recommends all designs be reviewed by a licensed architect, engineer or local building official before installation. TimberTech maintains a list of physical properties to assist the design professional.


Below is a chart showing which product each warranty covers. You can view warranty details online at [www.timbertech.com](http://www.timbertech.com):

- **Limited 25-Year Residential Warranty / Limited 10-Year Commercial Warranty**  
**Decking:** DockSider, Floorizon, Earthwood Evolutions, TwinFinish, XLM  
**Railing:** Ornamental Rail, RadianceRail, BuilderRail (excluding all metal baluster components of BuilderRail System)  
**Fencing:** All FenceScape a products  
**Accessories:** CONCEALoc, DrySpace
- **Limited 10-Year Warranty for Metal Baluster Components of BuilderRail System**
- **Limited 5-Year Warranty for DeckLites System**

**TimberTech Customer:**  
Please complete this warranty card and mail to:

TimberTech  
894 Prairie Avenue  
Wilmington, Ohio 45177  
Attn: Warranty

**This information will help us better serve your needs.**  
Please return warranty card within 30 days of receipt of product.



Name: \_\_\_\_\_ Purchase Date: \_\_\_\_\_  
Street Address: \_\_\_\_\_  
City: \_\_\_\_\_ State/Province: \_\_\_\_\_ Zip/Postal Code: \_\_\_\_\_  
Country: \_\_\_\_\_ Phone: \_\_\_\_\_

**Product Information:**  
Where was your product purchased? \_\_\_\_\_  
How was your product installed? \_\_\_\_\_  
 Contractor Name: \_\_\_\_\_  Self-Installed

**Warranty Registration: Check the TimberTech product that you purchased:**

**Decking:**     Earthwood Evolutions™ Plank     ReliaBoard™ Plank     Accessories: \_\_\_\_\_  
 Floorizon® Plank     XLM® Plank  
 DockSider™ Plank     TwinFinish® Plank

**Railing:**     RadianceRail®     RadianceRail® Express     Ornamental Rail     BuilderRail®     Evolutions™ Rail  
 Metal Balusters     Secure-Mount System     ADA Hand Rail System     CableRail

DrySpace™                       DeckLites®                       FenceScape®

**Demographic Information:** Number of residents in household: \_\_\_\_\_  
Number of household residents in the following age groups:  
 0-12     13-18     19-27     28-39     40-55     55+  
Average household income:  
 Under \$35,000     \$35,000-50,000     \$50,000-70,000     \$70,000-95,000     \$95,000+

It's not just a deck. It's TimberTech.



Visit [timbertech.com](http://timbertech.com) or  
call 1-800-307-7780 for more information.